



TILTAMAX
GRAVITY

3-AXIS STABILIZED HANDHELD GIMBAL SYSTEM



TILTA
ARM YOUR CAMERA



TILTAMAX

ELECTRONIC PRODUCTS ARE BECOMING EXTREMELY POPULAR

IN FILM INDUSTRY NOWADAYS

WE ARE TRYING TO FIND THE PERFECT COMBINATION

OF TRADITIONAL MACHINERY AND ELECTRONIC CONTROL

RELIABLE PERFORMANCE PRODUCES RELIABLE PICTURES IN ORDER

TO ACHIEVE MORE SHOOTING POSSIBILITIES

SPECIFICATION

3-AXIS CRADLE HEAD

WEIGHT (BATTERY EXCLUDED)	2.8kg
LOAD WEIGHT	Max 15kg
ANGULAR VIBRATION RANGE	±0.02
CONTROLLED ROTATION RANGE	TILT AXIS -90° TO +30°
	ROLL AXIS -90° TO +90°
	PAN AXIS ±360°
MAXIMUM CONTROL SPEED	180°/S
WORKING TEMPERATURE	-19°C TO 50°C

BATTERY

CAPACITY	2200mAh
VOLTAGE	14.8V
BATTERY TYPE	LiPo 6S
WORKING ENVIRONMENT	-19°C TO 50°C

MOTION CONTROLLER

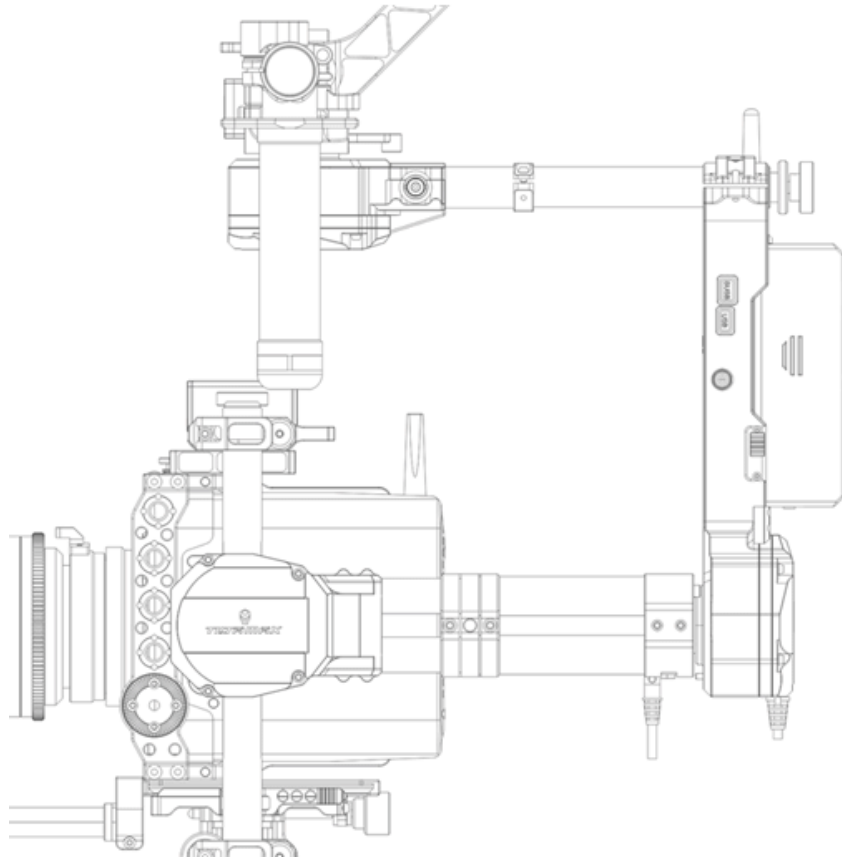
WORKING FREQUENCY	2.400GHz-2.483GHz
SIGNAL EFFECTIVE DISTANCE	800 m (OPEN SPACE)
POWER INPUT	DC1.1
WORKING TEMPERATURE	-19°C TO 50°C
WORKING VOLTAGE	14.8V



- MADE OF PURE CARBON FIBER, TITANIUM ALLOY AND HIGH STRENGTH ALUMINUM MAGNESIUM ALLOY
- NET WEIGHT 2.8KG, WEIGHT LOAD UP TO 15KG
- UNIQUE POINTING DEVICE, NO DRIFTING AND NO SYSTEM CRASH
- TRADITIONAL STEADYCAM SCREW TYPE BALANCE CONTROL, FASTER AND MORE ACCURATE



- INTERNAL POWER AND VIDEO SIGNAL CABLE, NEAT AND CLEAR
- POWER OUTPUT CAN SUPPLY CAMERAS, WIRELESS FOLLOW FOCUS ETC
- MAGNET POWER INTERFACE CAN SUPPLY TILTAMAX ARMOR MAN FOR LONGER SHOOTING TIME
- MOTION ADAPTOR INCLUDED, CAN BE CONNECTED TO WIRELESS VIDEO
- TRANSMITTER, EASIER TO CONTROL THE PICTURE



CHECK LIST :

3-AXIS GIMBAL	*1	SDI SIGNAL CABLE x2(50cm)	*2
QUICK-RELEASE BASEPLATE	*1	DC TO DC CABLE(50cm)	*1
TOP PLATE	*1	B TAP TO DC CABLE(75cm)	*1
25MM ADAPTOR	*2		
HANDHELD BAR	*1	POWER MODULE(B-TAPx2)	*1
STAND	*1	POWER SUPPLIER BOX(B-TAPx4)	*1
CHARGER	*1		
		MOTION EJECTOR	*1
		MOTION CONTROLLER	*1
		MOTION POWER CABLE	*1
		INTERFACE COVER	*1
		B TAP TO DC CABLE (OPTIONAL)(100cm)	*1

TOOLS

2.5MM ALLEN KEY	*1
3MM ALLEN KEY	*1
4MM ALLEN KEY	*1